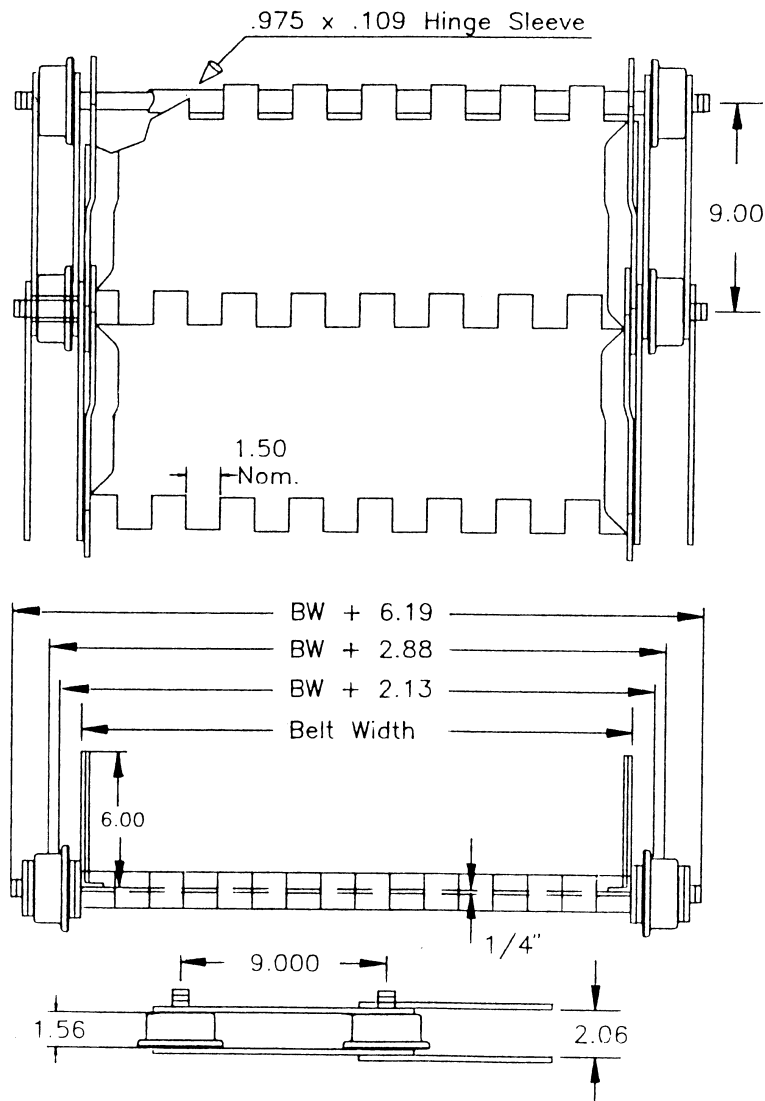


DAVIS INDUSTRIES, INC.

MADE IN USA

9" Pitch Steel Hinge Belting (#9025-3FLSD)

- ✓ 9000 Pound Maximum Belt Pull
 - ✓ 1/4" Thick Pans
 - ✓ 1/4" x 2" Chain Bars
- ✓ 3" Diameter x 1-1/2" Face, Hardened Sintered Steel Rollers
 - ✓ Heat Treated Roller Bushings
 - ✓ 3/4" Diameter C1045 Belt Pins
- ✓ Plain, Perforated, Dimpled Pans Available
 - ✓ Cleats available to suit application



Cleveland, Ohio USA

Phone & Fax: 800-577-0559 Email: sales@davis-ohio.com

Web: www.davis-ohio.com